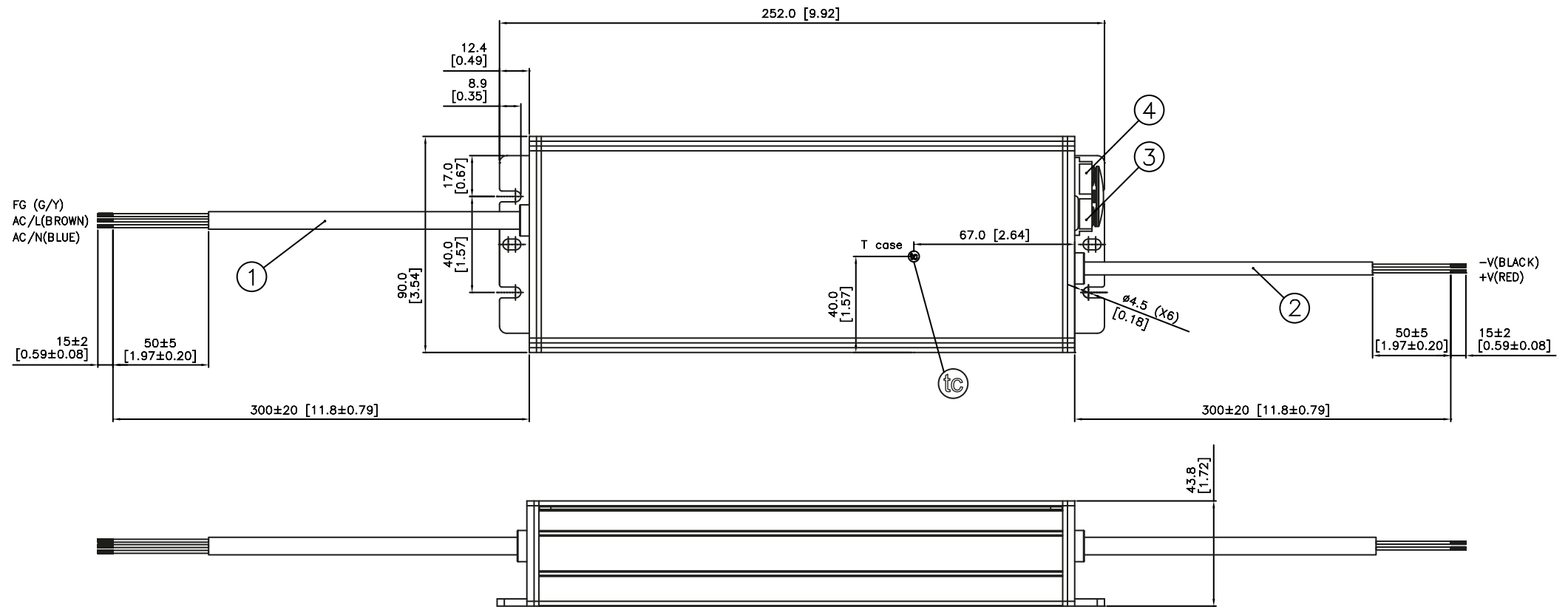


LNE LED Driver

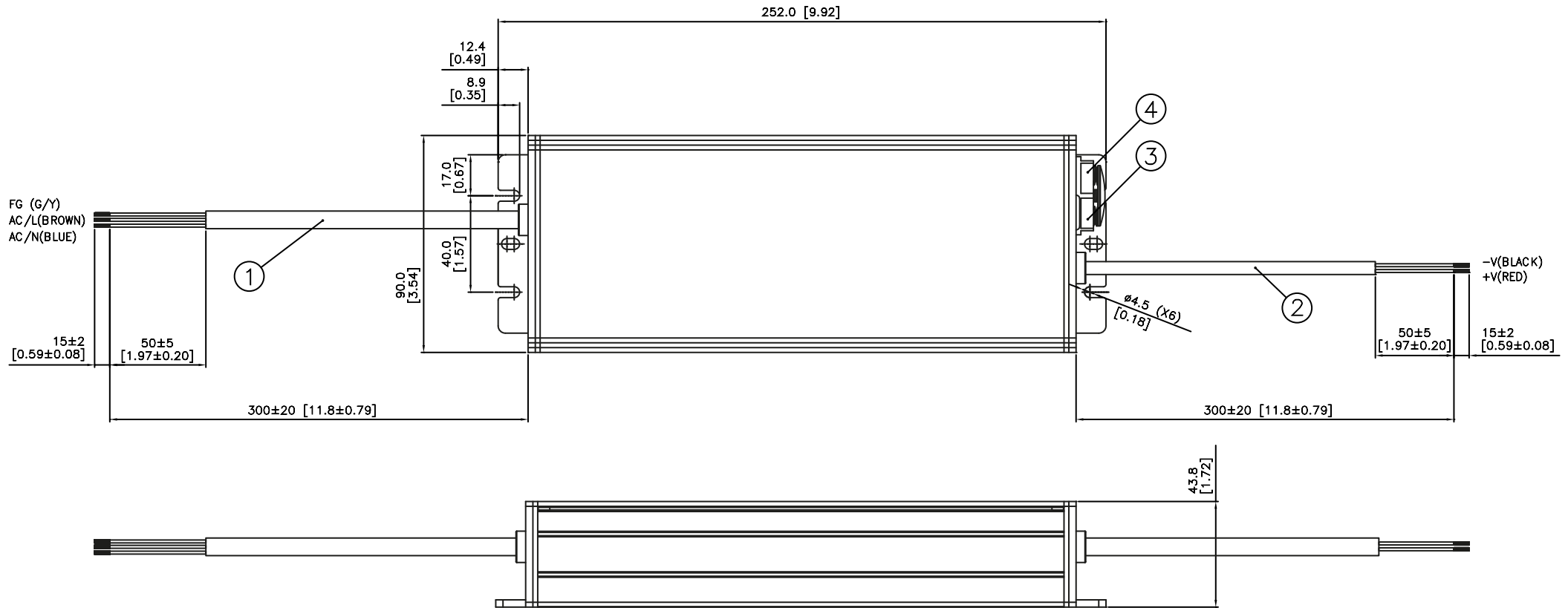
36V 320W 1 Phase / LNE-36V320WACA



Item	Device Description
1	Input Cable
2	Output Cable
3	Vo Adjust (Constant Voltage Adjustment)
4	Io Adjust (Constant Current Adjustment)
tc	T case (tc): Temperature hot spot location on case.

LNE LED Driver

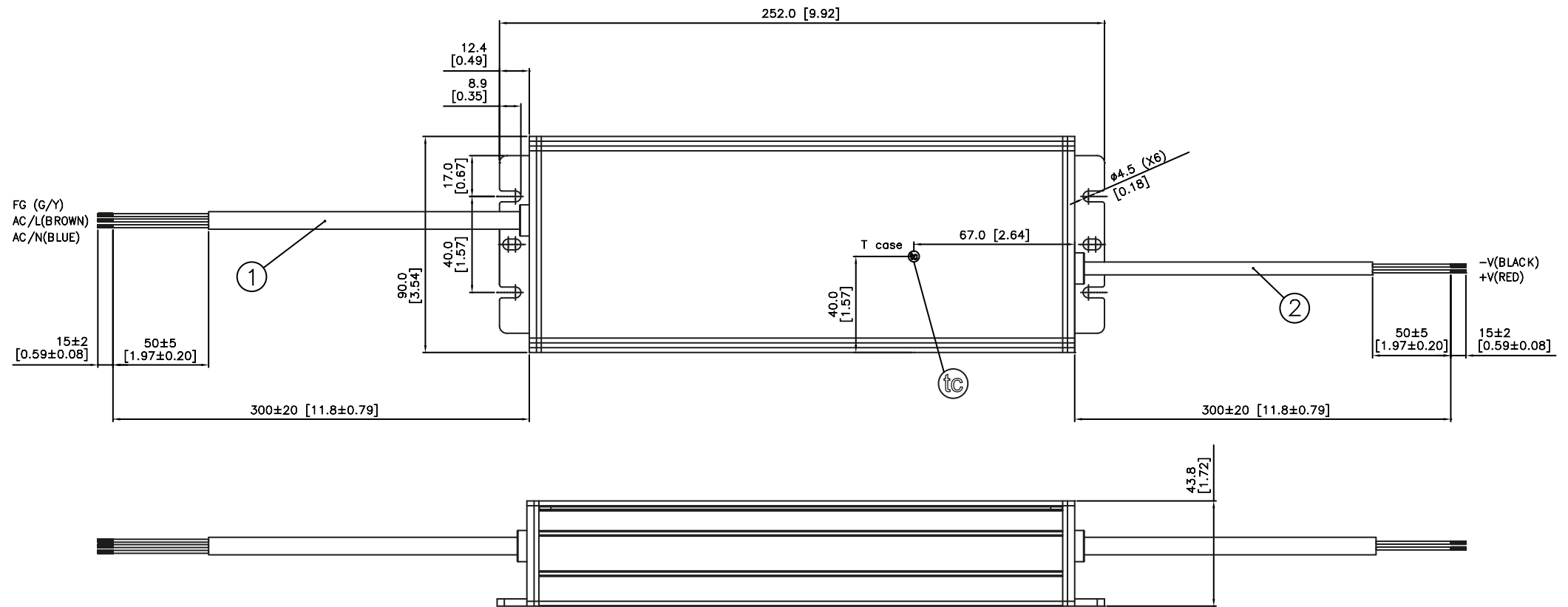
36V 320W 1 Phase / LNE-36V320WAAA



Item	Device Description
1	Input Cable
2	Output Cable
3	Vo Adjust (Constant Voltage Adjustment)
4	Io Adjust (Constant Current Adjustment)

LNE LED Driver

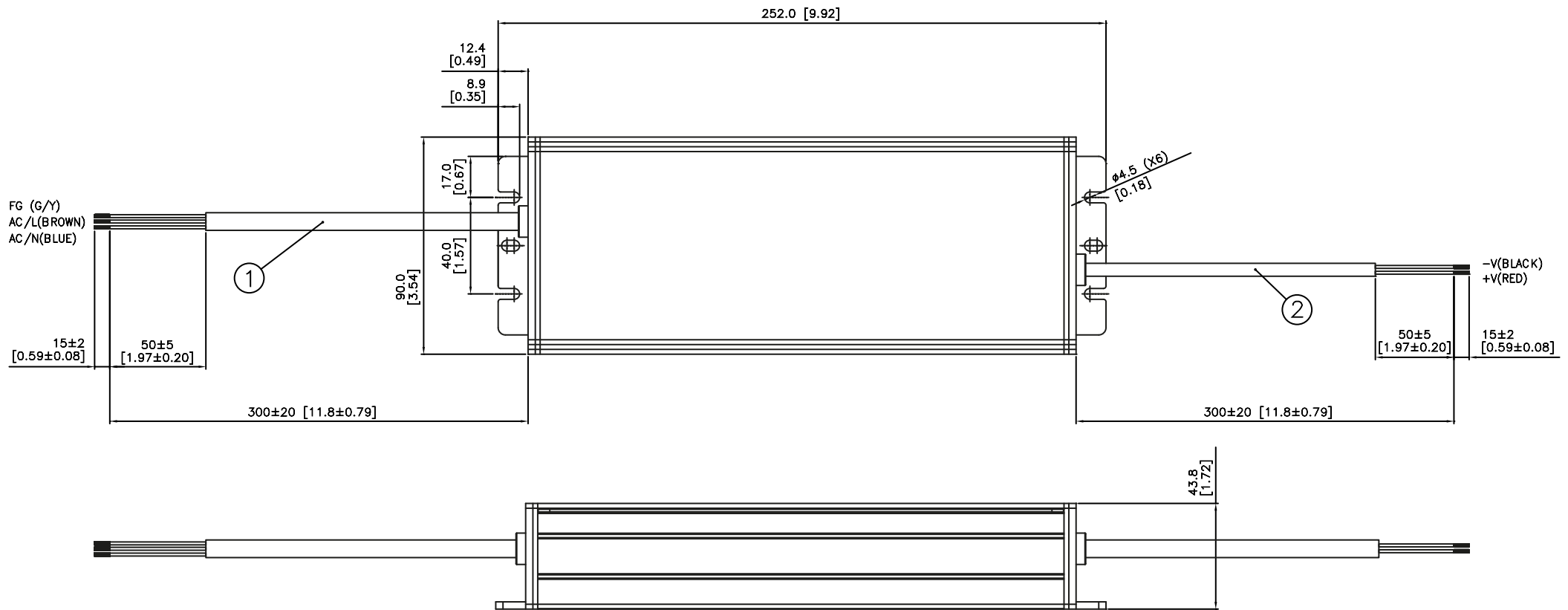
36V 320W 1 Phase / LNE-36V320WBCA



Item	Device Description
1	Input Cable
2	Output Cable
tc	T case (tc): Temperature hot spot location on case.

LNE LED Driver

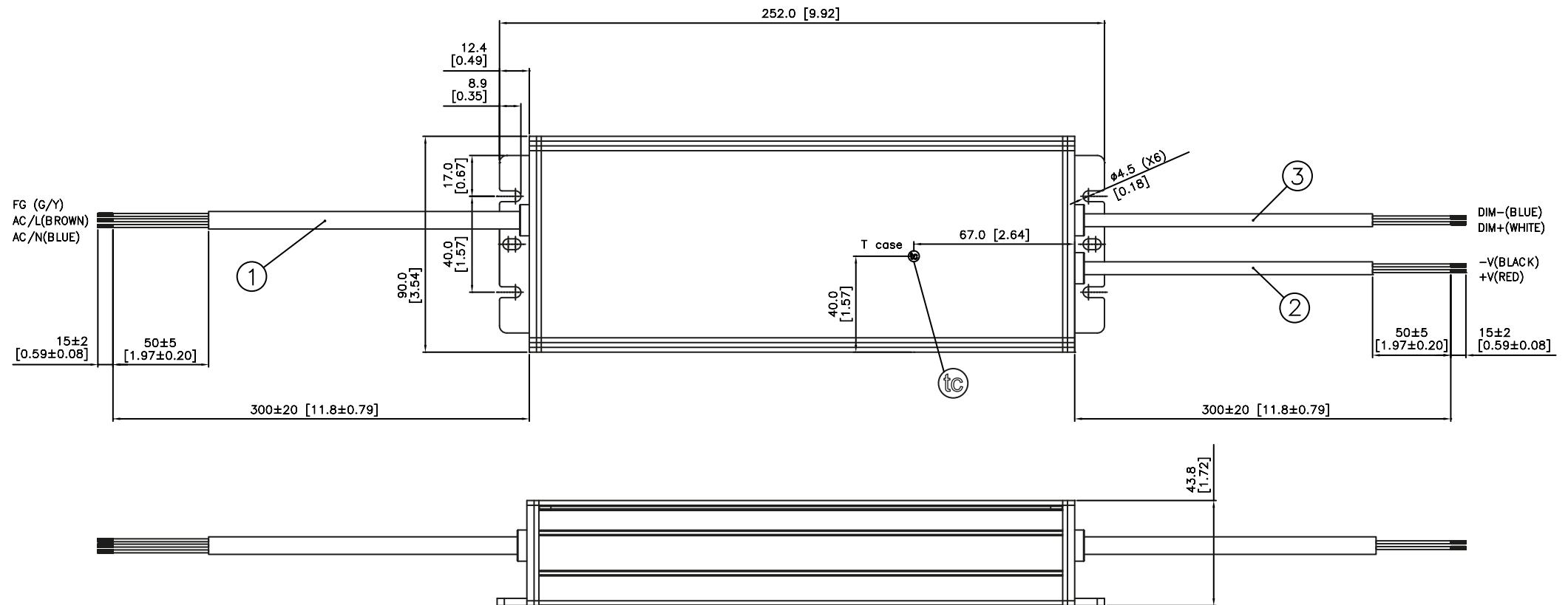
36V 320W 1 Phase / LNE-36V320WBAA



Item	Device Description
1	Input Cable
2	Output Cable

LNE LED Driver

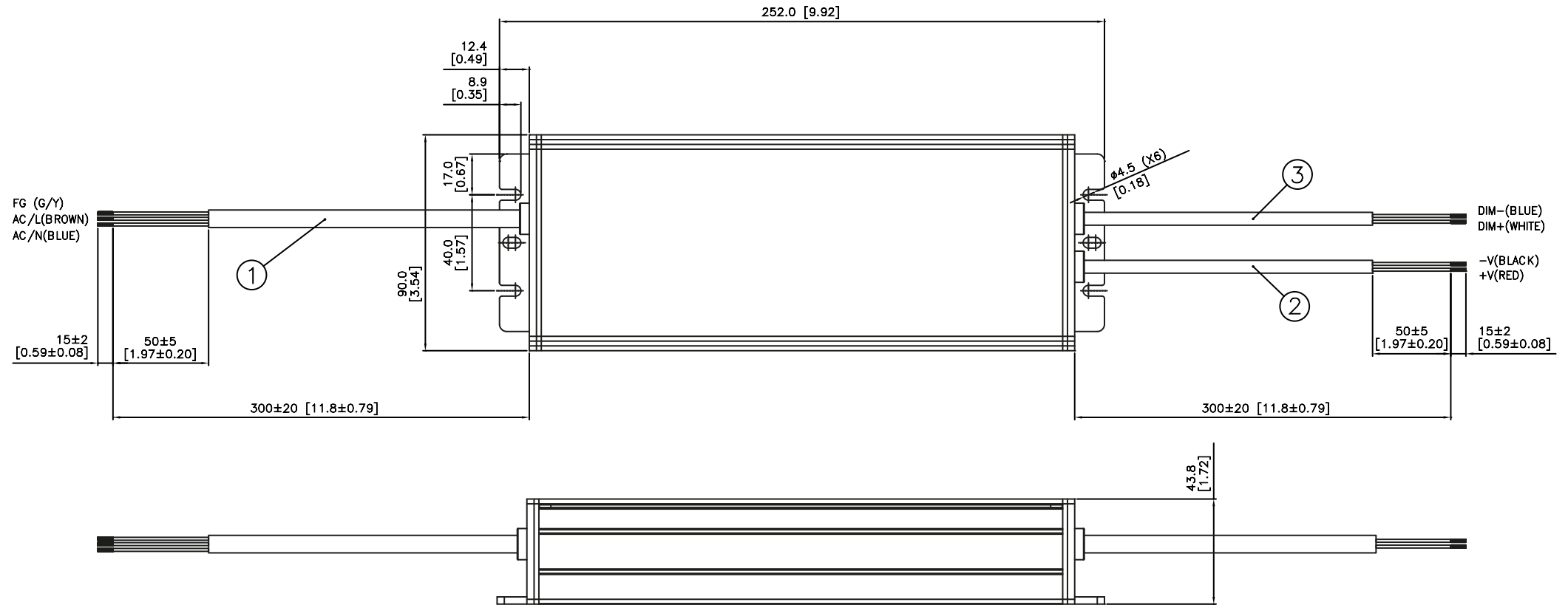
36V 320W 1 Phase / LNE-36V320WDCA



Item	Device Description
1	Input Cable
2	Output Cable
3	Dimming Cable
tc	T case (tc): Temperature hot spot location on case.

LNE LED Driver

36V 320W 1 Phase / LNE-36V320WDAA



Item	Device Description
1	Input Cable
2	Output Cable
3	Dimming Cable