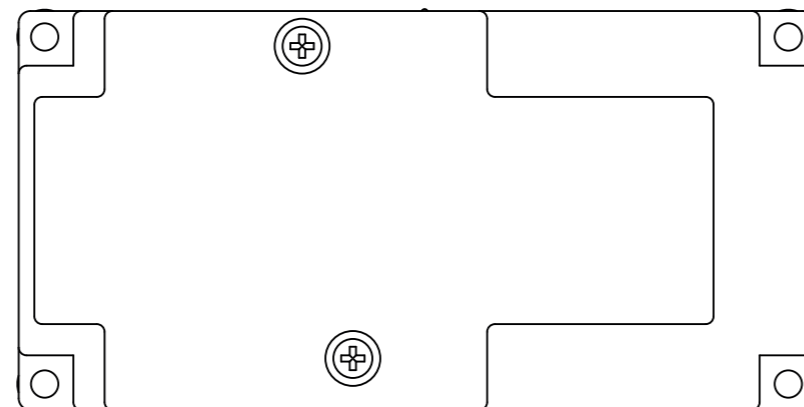
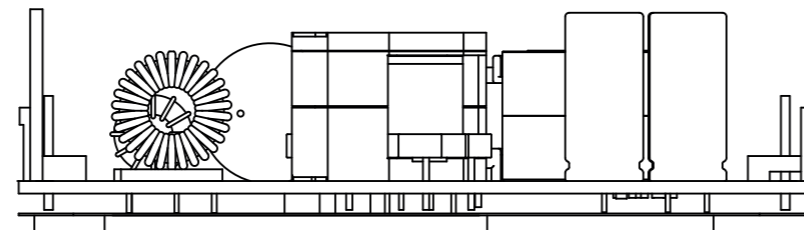
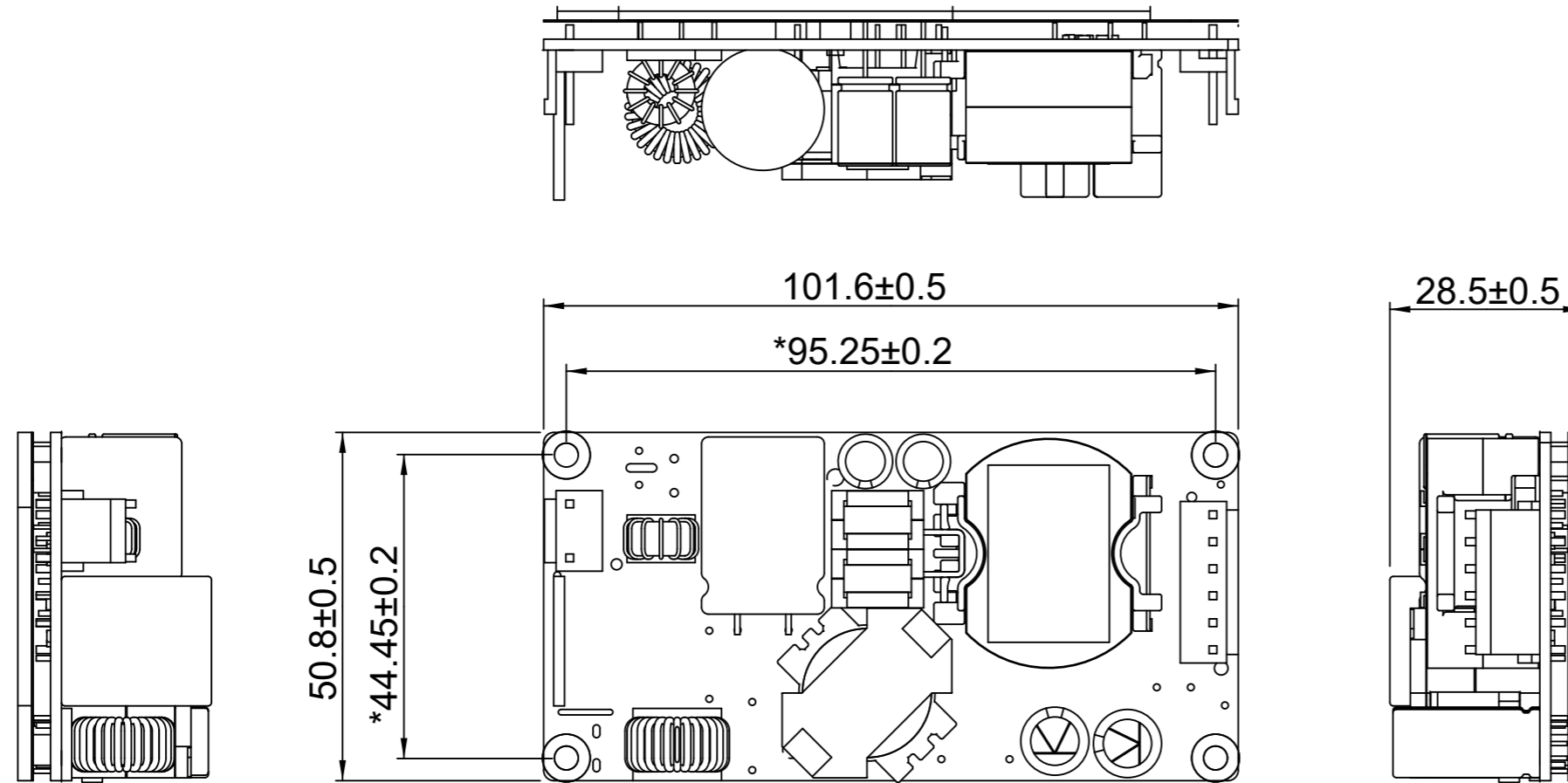


# MEP

## Medical Enclosed Power Supply

MEP-200A24J



PIN	INPUT CONNECTOR CN1	CN101:
1	NEUTRAL	JST(HEADER): B2P3-VH
2	LINE	MATCH WITH JST(HOUSING): VAR-2
		JST(CRIMP SOCKET): SVH-41T-P1.
PIN	OUTPUT CONNECTOR CN101	CN101:
1	OUTPUT +	JST(HEADER): B6P-VH-B(LF)(SN)
2	OUTPUT +	MATCH WITH JST(HOUSING): VHR-6N
3	OUTPUT +	JST(CRIMP SOCKET): SVH-21T-P1.1
4	OUTPUT -	
5	OUTPUT -	
6	OUTPUT -	